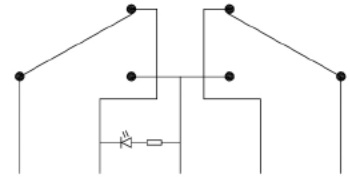
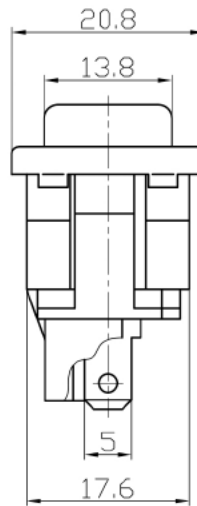
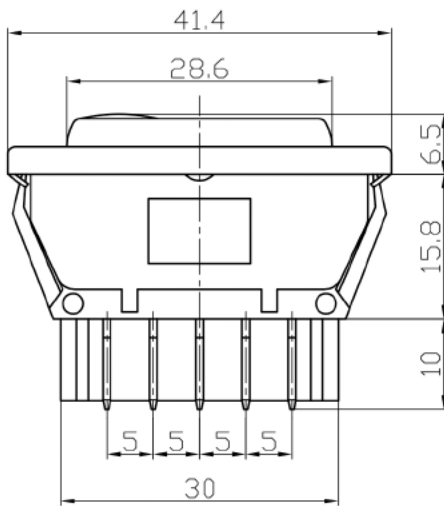


Specifications

Rating:	20A 12VDC, 10A 30VDC
Contact Resistance:	50mΩ Max
Insulation Resistance:	100MΩ Min
Dielectric Strength:	1500VAC 1 minute
Operating Temperature:	-25°C to +85°C
Electrical Life:	10,000+ Cycles



Description	Ref Code
Universal Electric Window Switch Automotive Car 12V 5-Pin	551208