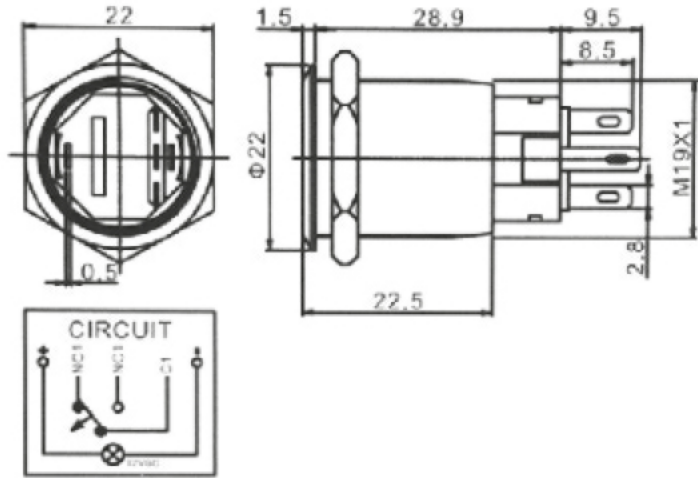




SOCOJE

SOCOJE INTELLIGENT TECHNOLOGY



ITEMS	PARAMETER
Install Hole Diameter	16mm
Switch Function	1NO1NC/2NO2NC
Operation Type	Momentary/ Latching
Dielectric Strength	2000V
Rating	5A/250VAC
Insulation voltage resistance	1800V
Electrical Life	≥50,000cycles
Mechanical Life	≥500,000cycles
Temperature	-40°C~+80°C
Protection Level	IP67, IK10
Operation Force	about 5N
Operation Stroke	3mm
Panel thickness	1-15mm
Nut torque	5-14Nm
LED voltage	3-720VAC/DC
LED rated current	20mA
LED color	red/blue/green/yellow/white/bi-color/tri-color