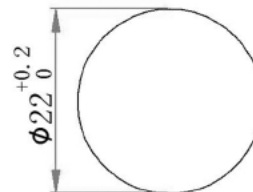
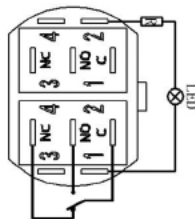
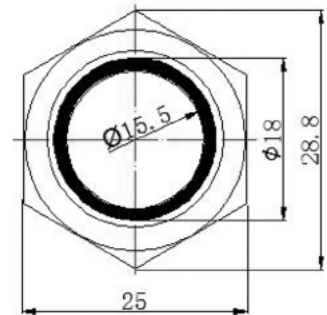
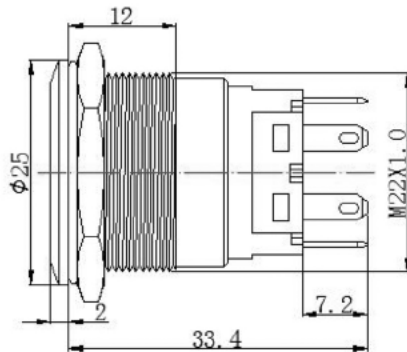
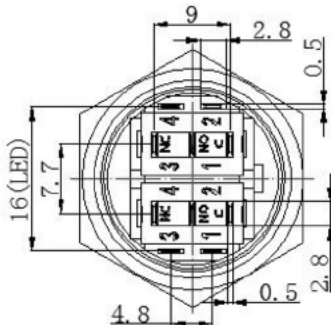


## Specifications

|                        |                  |
|------------------------|------------------|
| Rating:                | 5A 250VAC        |
| Protection Level:      | IP67             |
| LED illumination:      | 12V              |
| Housing Material:      | Stainless Steel  |
| Contacts:              | 2NO/2NC          |
| Contact Resistance:    | 50mΩ Max         |
| Insulation Resistance: | 1000MΩ Min       |
| Dielectric Strength:   | 2000VAC 1 minute |
| Operating Temperature: | -25°C to +85°C   |



| Description   | Ref Code |
|---|----------|
| White LED On-On 22mm Vandal Resistant Push Switch 2NO/2NC | 484978   |