
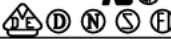
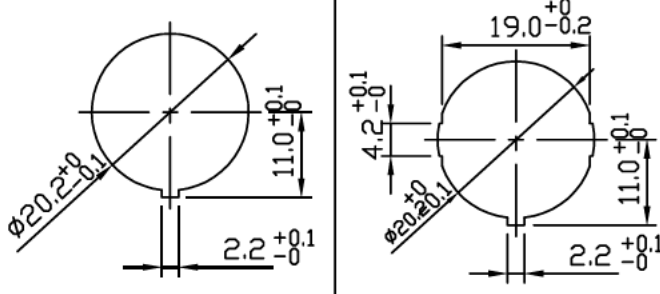
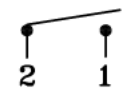


Rating	16A 125VAC		Mounting Hole	
	10A 250VAC			
	10A 125VAC			
	6A 250VAC			
Contact Resistance	50m ohm Max.			
Insulation Resistance	DC 500V 100M ohm Min.			
Dielectric Strength	AC 1500V 1 minute			
Operation Temperature	-20°C~85°C			
Switch Function	2P SPST ON-OFF			

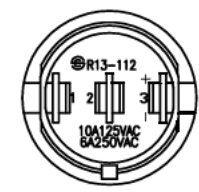
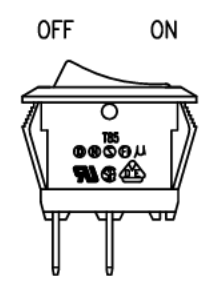
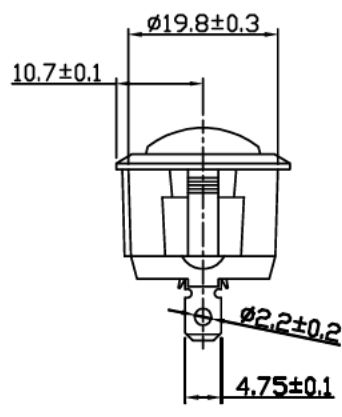
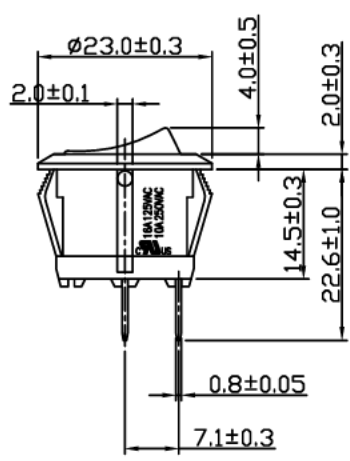
Thickness:2.0~3.0

Thickness:0.7~3.0

Circuit Diagram



Material:
 Frame: White Gloss finish, Nylon#66
 Actuator: White Gloss finish, Nylon#66



C8\R13\R13-112A5-02(1821889)

Date		Name		Description				NO	
Drawn	Checked	Approved	SCI BOM NO.	1821889		Model Name	ROCKER SWITCH		
			Customer No.			Model No.	R13-112A5-02	REV.	
			Unit	mm	S			0	