

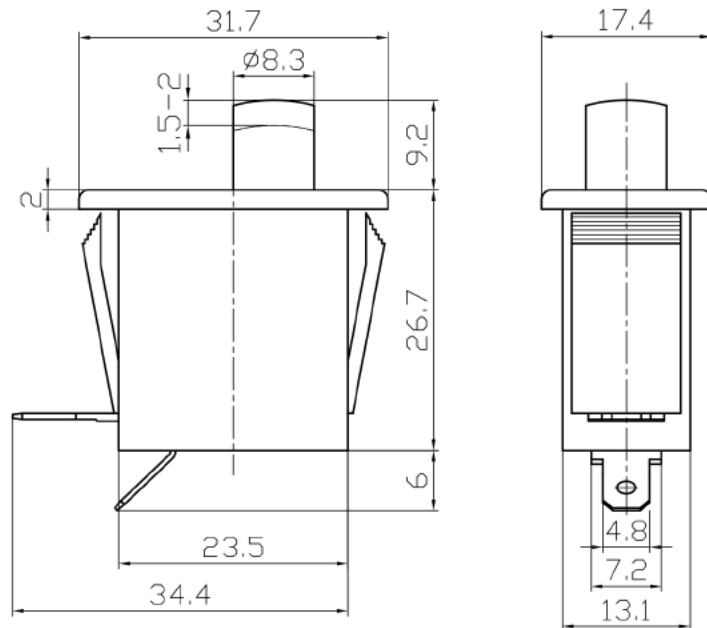
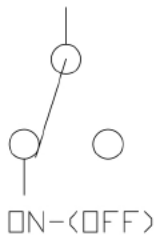
## Specifications

Rating:	10A 125VAC, 5A 250VAC
Contact Resistance:	20mΩ Max
Insulation Resistance:	100MΩ Min
Dielectric Strength:	1000VAC 1 minute
Operating Temperature:	-25°C to +85°C
Electrical Life:	50,000+ Cycles

### Mounting



### Circuitry



Description	Ref Code
White On-(Off) Rectangle Momentary Push Button Switch 19mm SPST	482219