

Plastic Control Boxes

YB Series



IP65 Plastic Control Boxes

Control boxes with emergency stop switches available

YB YB Series Plastic Control Boxes

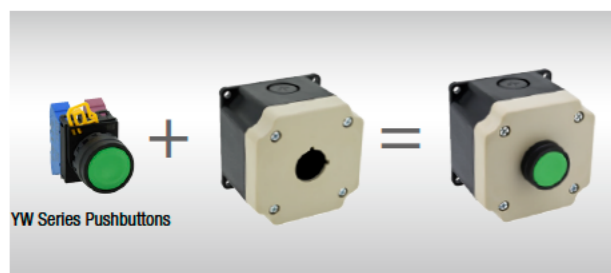
Plastic control boxes with IP65 protection.
Also available with YW series emergency stop switches.



See website for details on approvals and standards.



ø22 switches & pilot lights can be mounted on the control box.



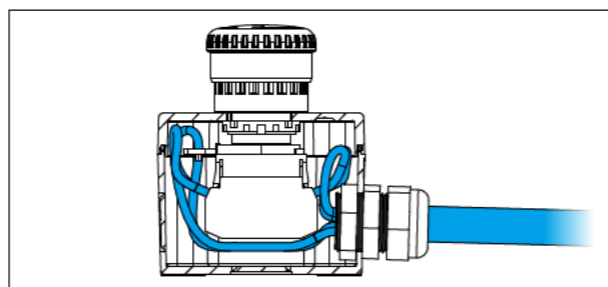
Mounting holes are located on the sides so that the box can be mounted without opening the box cover.



By installing APEM's QH series indicator, the user can intuitively see the operating status of the switch.



Efficient wiring space inside the control box.



YB Series Control Boxes

Package quantity: 1

Box size	No. of mounting holes	Mounting hole specifications	Cover color (*1)	Part No. (Ordering No.)
76mm	1	ø22	yellow	YB1W-111Y
			light beige	YB1W-111Z

(*1) Yellow : Munsell 2.5Y8/10 approx.
Light beige : Munsell 5Y7/1 approx.
Box base color : Black (Munsell N1.5 approx.)

Control box with emergency stop switch (box size: 76mm, cover color: yellow, button color: red)

Package quantity: 1

Switch Specifications	Contact configuration	Part No.	
		No nameplate.	With nameplate "EMERGENCY STOP"
YW Series Emergency Stop Switch	1NC	YB1W-YW1B-V4E01R-Y0	YB1W-YW1B-V4E01R-Y1
	2NC	YB1W-YW1B-V4E02R-Y0	YB1W-YW1B-V4E02R-Y1
	3NC	YB1W-YW1B-V4E03R-Y0	YB1W-YW1B-V4E03R-Y1
	1NO-1NC	YB1W-YW1B-V4E11R-Y0	YB1W-YW1B-V4E11R-Y1
	1NO-2NC	YB1W-YW1B-V4E12R-Y0	YB1W-YW1B-V4E12R-Y1
	2NO-1NC	YB1W-YW1B-V4E21R-Y0	YB1W-YW1B-V4E21R-Y1

Performance specifications (*1)

Applicable standards	IEC60529, GB/T 14048.5 (control boxes with switches only)
Operating temperature	-25 to +60°C
Storage temperature	-40 to +80°C
Relative humidity	95%RH max
Protective structure	IP65 (when installed with compatible models)
Electric shock protection	Class II
Material	Box cover / Box base: Polycarbonate Box cover mounting screws: Iron (zinc plated)
Applicable models	YW/HW/TW/XW series switches and pilot lights (SOCOTE) *2)
Weight (approx.)	100g (YB1W-111Y box only)

*1) The specifications on the left are for enclosures. For switches/pilot lights, refer to the specifications of each unit.
*2) Choose switches/pilot lights and accessories which match the mounting hole centers, effective depth behind the cover, and the thickness of the cover where switches/pilot lights are installed (2.5 mm).

Accessories

Name and Shape	Specifications	Part No.	Package quantity	Remarks
ø22 Switch guard for EMO	Material: Polyamide resin (PA6) Protective structure: IP65 (IEC 60529) SEMI S2 compliant	HW9Z-KG3	1	

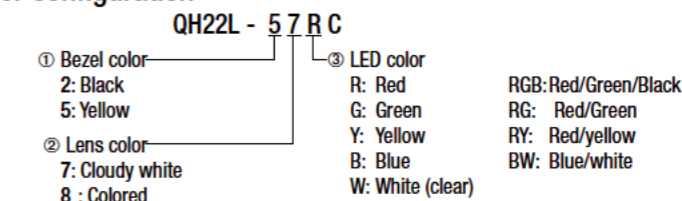
• Be sure to select accessories by referring to the specifications of the plastic box, switches, and accessories.

APEM Products (QH series indicator)

Name and Shape	Specifications	Part No.	Package quantity	Remarks
QH Series Indicators	Operating voltage: 12 to 24V DC Operating current: 4.2mA to 20mA Protective structure: IP67	QH22L-①②③C	1	

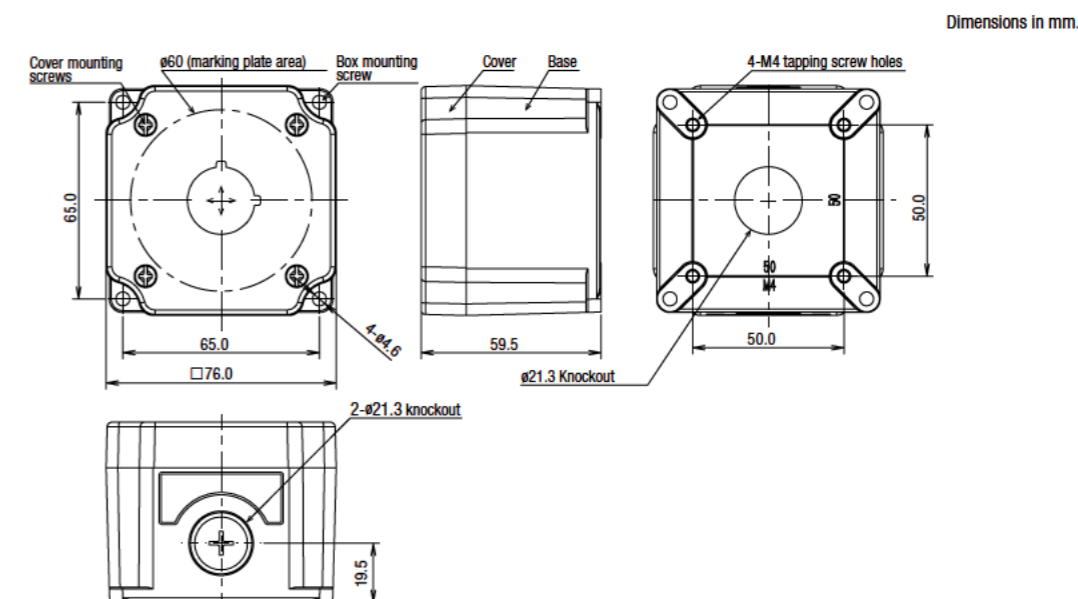
• Specify a designation code in place of ①②③ in the Part No. Code: ① Bezel color ② Lens color ③ LED color
• Only yellow can be used with the emergency stop switch. Refer to the APEM website for instructions.

QH series indicator part number configuration



Dimensions

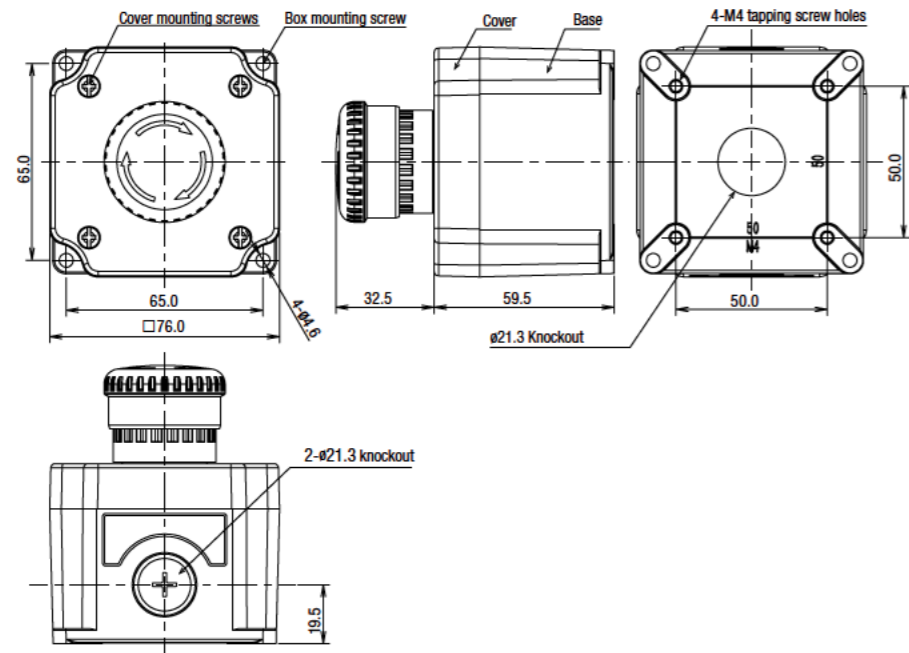
Box



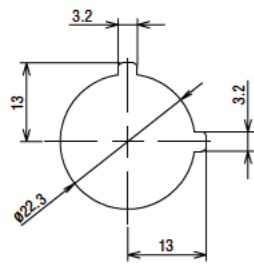
Dimensions

YW Series with emergency stop switch

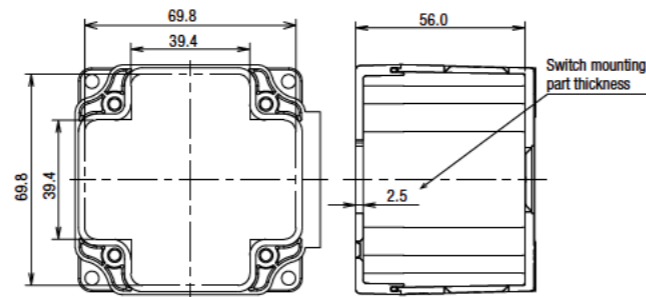
Dimensions in mm.



Mounting hole dimensions



Internal dimensions



⚠ Safety Precautions

Be sure to turn off the power before installation, removal, wiring, maintenance and inspection. Failure to turn power off may cause electrical shocks or fire hazard.