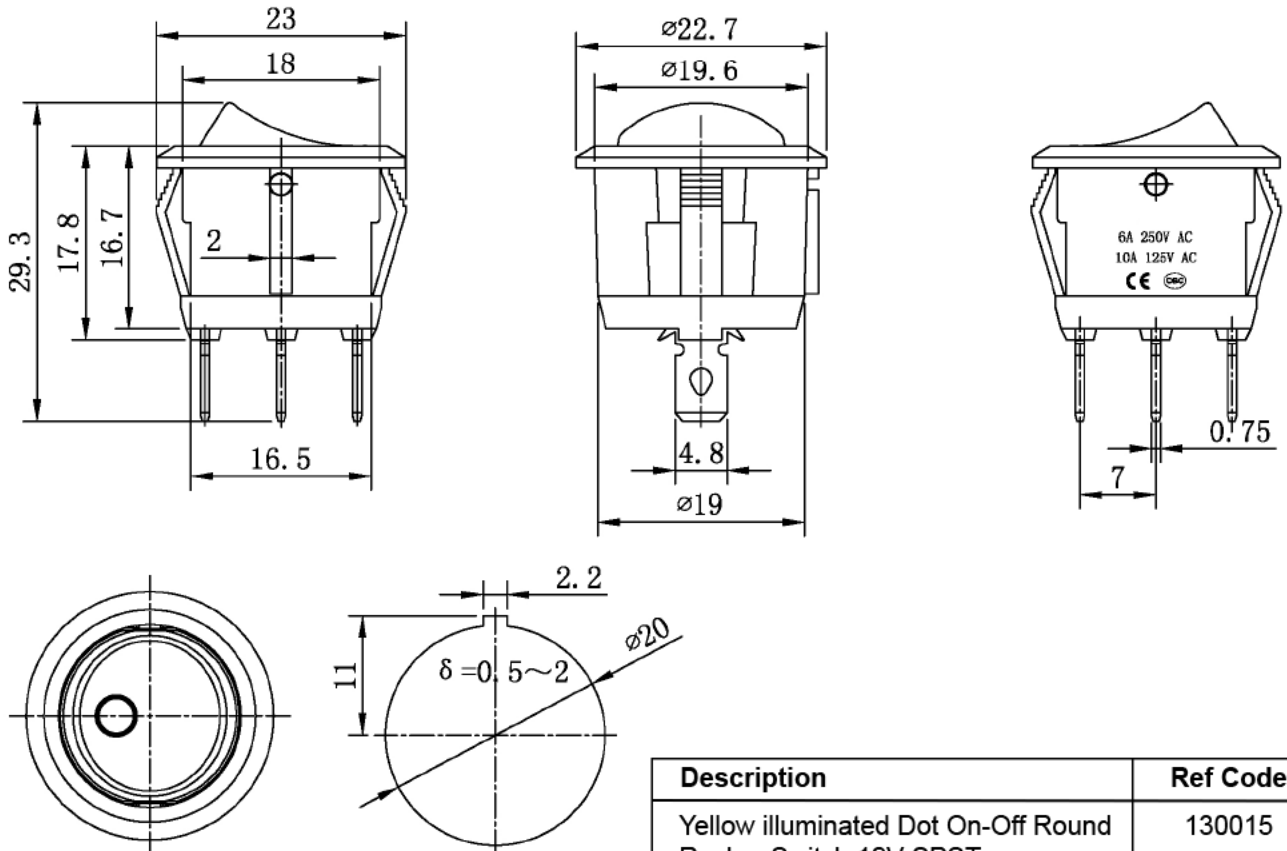


Specifications

Rating:	6A 250VAC, 10A 125VAC
LED illumination Voltage:	12VDC
Contact Resistance:	50mΩ Max
Insulation Resistance:	100MΩ Min
Dielectric Strength:	1500VAC 1 minute
Temperature Rating:	-25°C to 85°C
Electrical Life:	10,000+ Cycles



Description	Ref Code
Yellow illuminated Dot On-Off Round Rocker Switch 12V SPST	130015