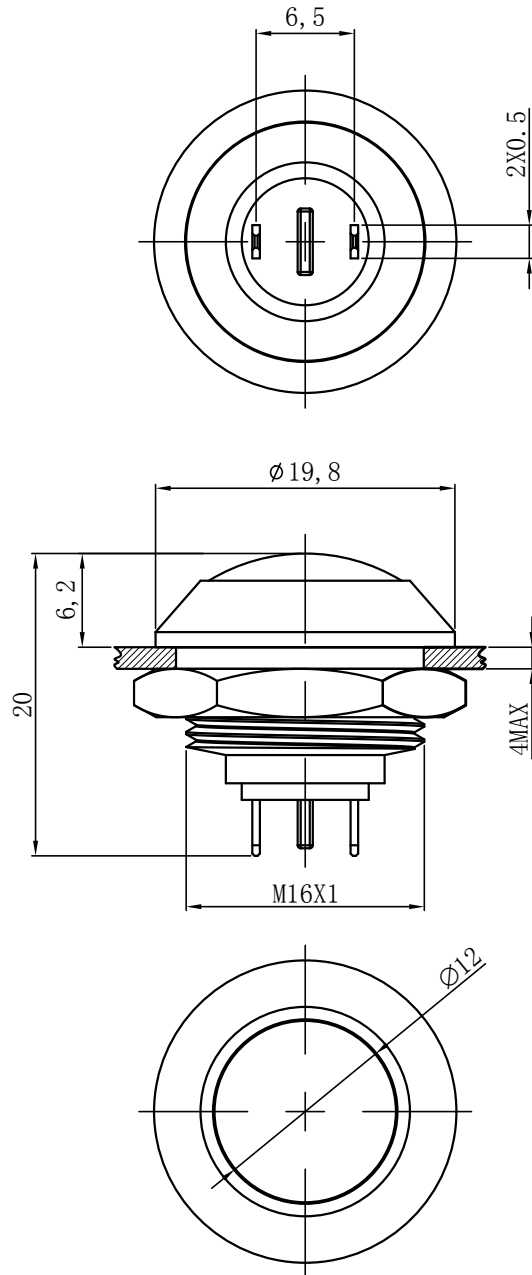
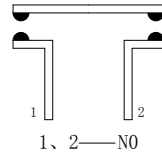


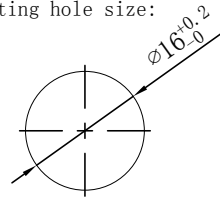
UNIT: mm (毫米)



开关结构说明:
Switch structure description:



安装孔尺寸:
Mounting hole size:



性能要求:

Performance requirements:

- 防护等级: IP65;
Protection grade: IP65;
- 接触电阻: $\leq 50m\Omega$;
Contact resistance: $\leq 50m\Omega$;
- 绝缘电阻: $\geq 100M\Omega$;
The insulation resistance: $\geq 100M\Omega$;
- 抗电强度: AC2500V, 1min, 无闪烁、击穿;
Electrical resistance: AC2500V, 1min, no flicker and breakdown;
- 寿命: 电气部分在额定负载下动作5万次无异常。
Life: Electrical part: operate 50,000 times under rated load without any abnormality.

机械部分: 动作100万次无异常;
Mechanical part: no abnormal movement for 1000,000times

技术要求:

Technical requirements:

- 表面光洁, 平整无毛刺;
The surface is smooth without burr;
- 参数/批次字迹清晰, 无错位;
Clear handwriting of parameters/batches without any dislocation;
- 电气参数: Ith: 3A Ui: 250V;
Electric parameter: 3A Ui: 250V;
- 工作环境温度: $-25^{\circ}\text{C} \sim +65^{\circ}\text{C}$;
Working environment temperature: $-25^{\circ}\text{C} \sim +65^{\circ}\text{C}$;
- 动作形式: 自复式;
Operation type: Momentary ;
- 动作行程: 约1.8mm;
Movement stroke: about 1.8mm;
- 连接形式: 配套接插件/焊接导线;
Connection form: Matching connectors/Welding wire;
- 拧紧力矩: 约0.6Nm;
Tightening torque: about 0.6Nm;
- 开关组合: 1NO;
Contact configuration: 1NO;
- 外观材料: 按键: PBT;
外壳: 铝合金/不锈钢/黄铜;
底座: PBT;
触点: 银合金;

Appearance material: Button surface: PBT;
Housing: Aluminum alloy
Stainless steel
Nickel-Plated Brass;
Pedestal: PBT;
Contact: Silver alloy

- 未标注公差按照GB/T 1804-m级。

Unmarked tolerance shall be in accordance with GB/T 1804-m class.

DR.	APPD.	SCALE.	COUNTERSIGN.	DATE.	名称(TITLE): M16 Emergency stop button switch M16金属防水按钮开关
制图	审核	比例	会签	日期	
		2:1		2022.8.20	
PW.	P.	页码	第1页 共1页(1/1)		

描 图

描 校

底 图 号

装 订 号