

Vandal Resistant Switch $\phi 12\text{mm}$

- Anti-Vandal IK09/ Sealed IP65
- Square And Round Version Available
- 1,000,000 Cycles Momentary
- Variety Of Colors



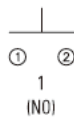
Momentary: Means that when you push Switch and then move your finger, the actuator will back to the original position.

Order Code

Series	Actuator Options	Terminal	Function	Body Material	Actuator Color
V12	B- Round F- Square	P- Pin (2.0x0.5) Screw no letter	Momentary no letter I- NO	S- Stainless Steel N- Nickel plated brass A- Zn- Al Alloy Black	BK- Black W- White Y- Yellow B- Blue G- Green R- Red

1) The Actuator color only Zn-Al alloy material available

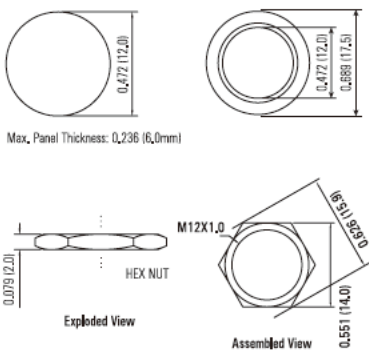
Function



Technical Data

Type	V12-B/S	V12-B/N	V12-B/A	V12-F/A
Illuminated Options	Non-illuminated			
Front Shape	Round			Square
Terminal	Screw/ Pin (2.0X0.5)			
Max. Switch Rating	2A 48VDC			
Contact Resistance	$\leq 50\text{m}\Omega$			
Insulation Resistance	$\geq 1000\text{m}\Omega$			
Dielectric Strength	2000VAC			
Operation Temp.	$-20^\circ\text{C} \sim +55^\circ\text{C}$			
Mechanical Life	1,000,000 Cycles			
Electrical Life	200,000 Cycles			
Contact Material	Silver Alloy			
Torque	5 ~ 14Nm			
Operation Pressure	approx. 5N			
Protection	IP65/ IK08			
Material				
Actuator	Stainless Steel/ Brass/ PBT			
Body	Stainless Steel/ Brass/ Zn-Al Alloy			
Base	PBT			
Color	R G Y O B W BK			
Actuator(Zn-Al.alloy)				

Suggested Panel Cutout



Dimension

